



Conference: Congreso Interdisciplinario de Energías Renovables -  
Mantenimiento Industrial - Mecatrónica e Informática

*Booklets*



RENIECYT - LATINDEX - Research Gate - DULCINEA - CLASE - Sudoc - HISPANA - SHERPA UNIVERSIA - E-Revistas - Google Scholar  
DOI - REDIB - Mendeley - DIALNET - ROAD - ORCID

# Title: Sistema de estacionamiento vertical automático

**Author:** Samuel, SOTELO-MARTÍNEZ

**Editorial label ECORFAN:** 607-8534  
**BCIERMMI Control Number:** 2018-03  
**BCIERMMI Classification (2018):** 251018-0301

**Pages:** 7  
**RNA:** 03-2010-032610115700-14

**ECORFAN-México, S.C.**  
244 – 2 Itzopan Street  
La Florida, Ecatepec Municipality  
Mexico State, 55120 Zipcode  
Phone: +52 1 55 6159 2296  
Skype: ecorfan-mexico.s.c.  
E-mail: contacto@ecorfan.org  
Facebook: ECORFAN-México S. C.  
Twitter: @EcorfanC

[www.ecorfan.org](http://www.ecorfan.org)

**Holdings**

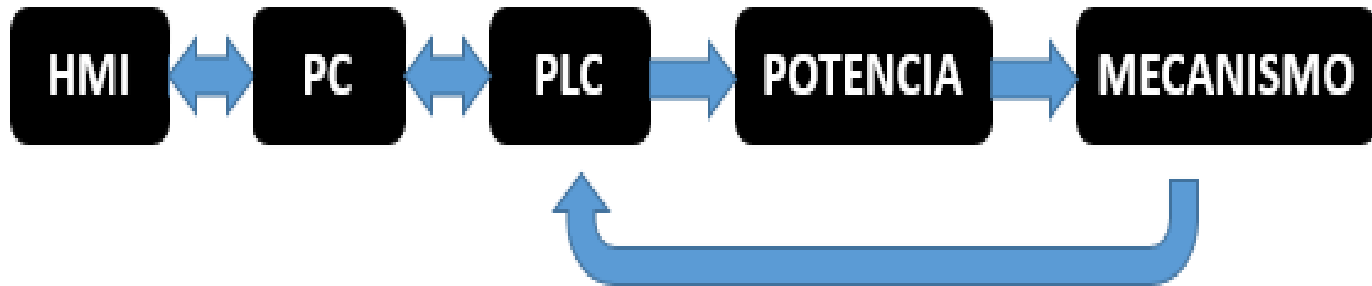
Mexico	Colombia	Guatemala
Bolivia	Cameroon	Democratic Republic
Spain	El Salvador	of Congo
Ecuador	Taiwan	Nicaragua
Peru	Paraguay	

# Planteamiento

- Antecedentes
- Objetivo
- Justificación
- Hipótesis
- Componentes

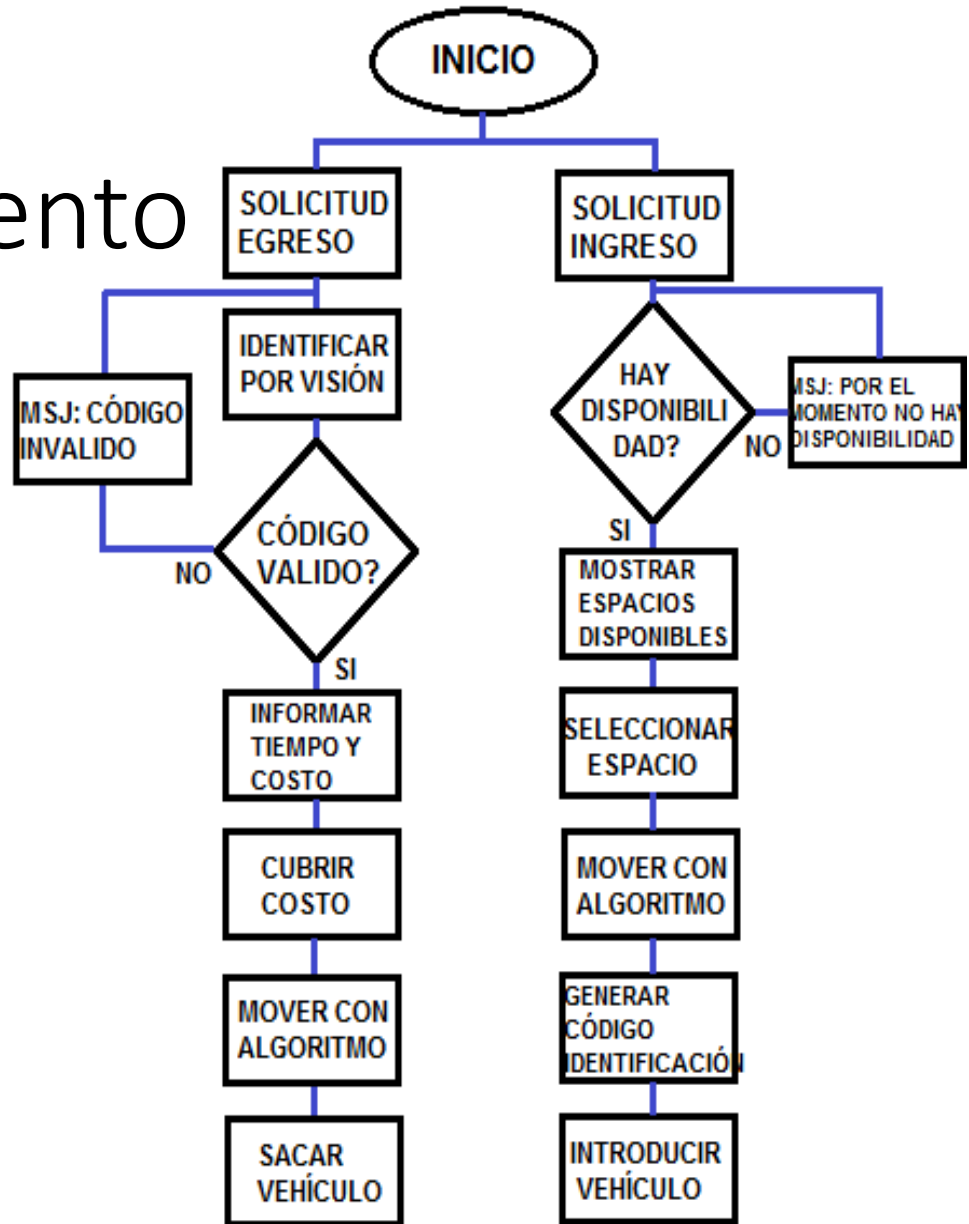


# Metodología.

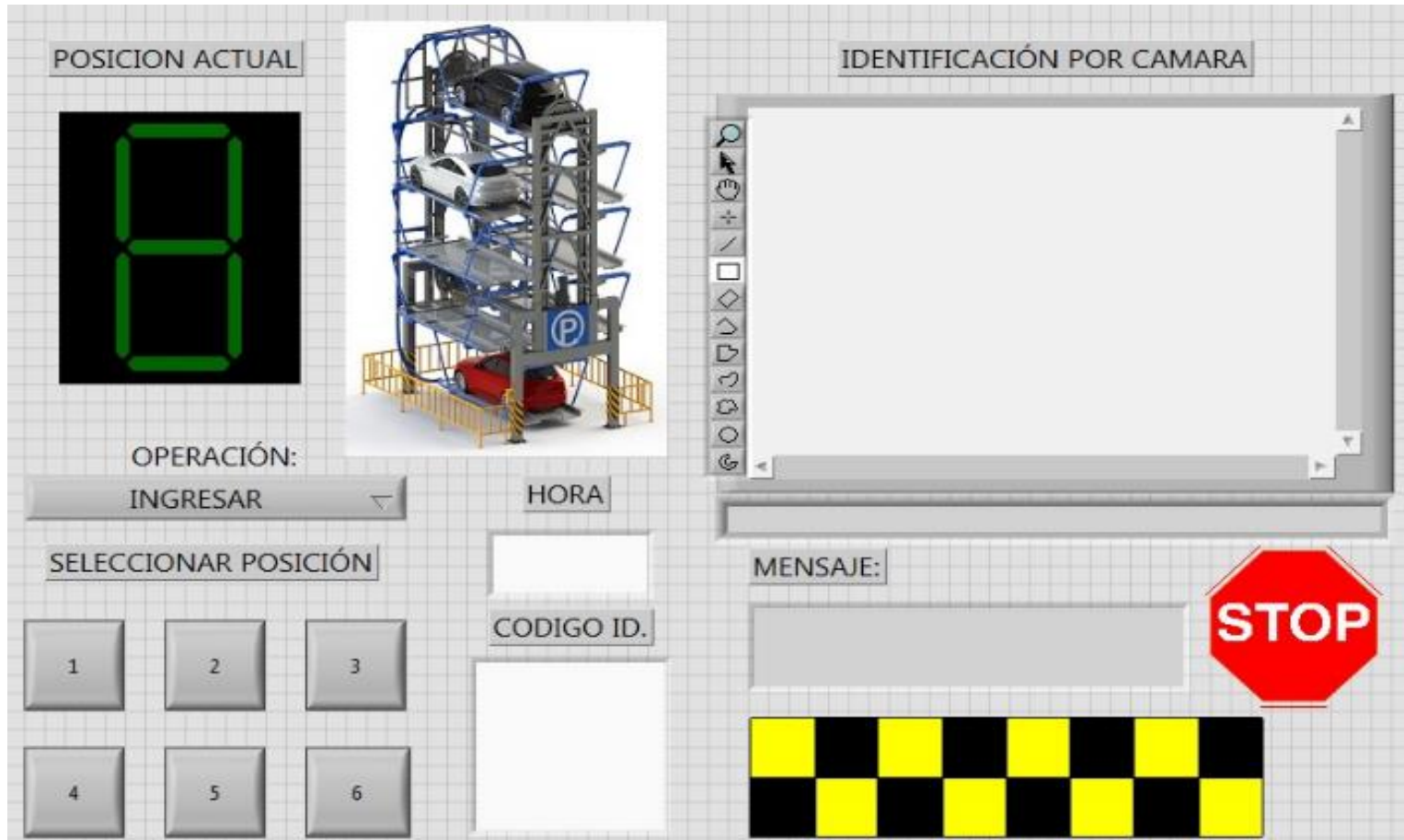


Antecedentes  
Problemática  
Materiales

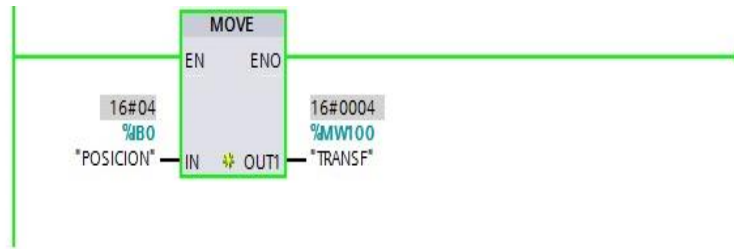
# Funcionamiento



# Panel frontal

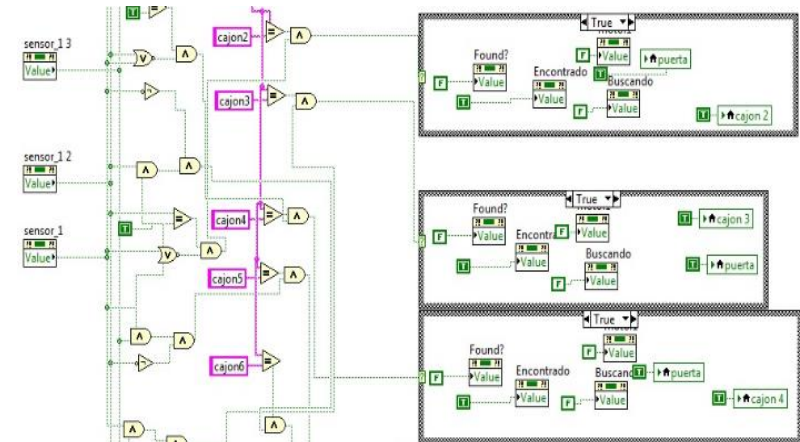
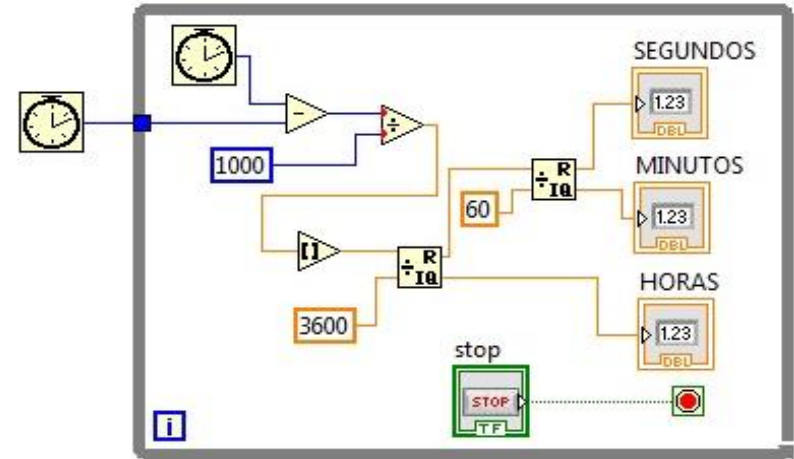


# Programación



Segmento 2: .....

Comentario



# Prototipo



# Resultados y conclusiones.

- Funcionamiento.
- Conectividad.
- Sistema de visión.
- Algoritmo de posición.





**ECORFAN®**

**© ECORFAN-Mexico, S.C.**

No part of this document covered by the Federal Copyright Law may be reproduced, transmitted or used in any form or medium, whether graphic, electronic or mechanical, including but not limited to the following: Citations in articles and comments Bibliographical, compilation of radio or electronic journalistic data. For the effects of articles 13, 162,163 fraction I, 164 fraction I, 168, 169,209 fraction III and other relative of the Federal Law of Copyright. Violations: Be forced to prosecute under Mexican copyright law. The use of general descriptive names, registered names, trademarks, in this publication do not imply, uniformly in the absence of a specific statement, that such names are exempt from the relevant protector in laws and regulations of Mexico and therefore free for General use of the international scientific community. BCIERMMI is part of the media of ECORFAN-Mexico, S.C., E: 94-443.F: 008- ([www.ecorfan.org/](http://www.ecorfan.org/) booklets)